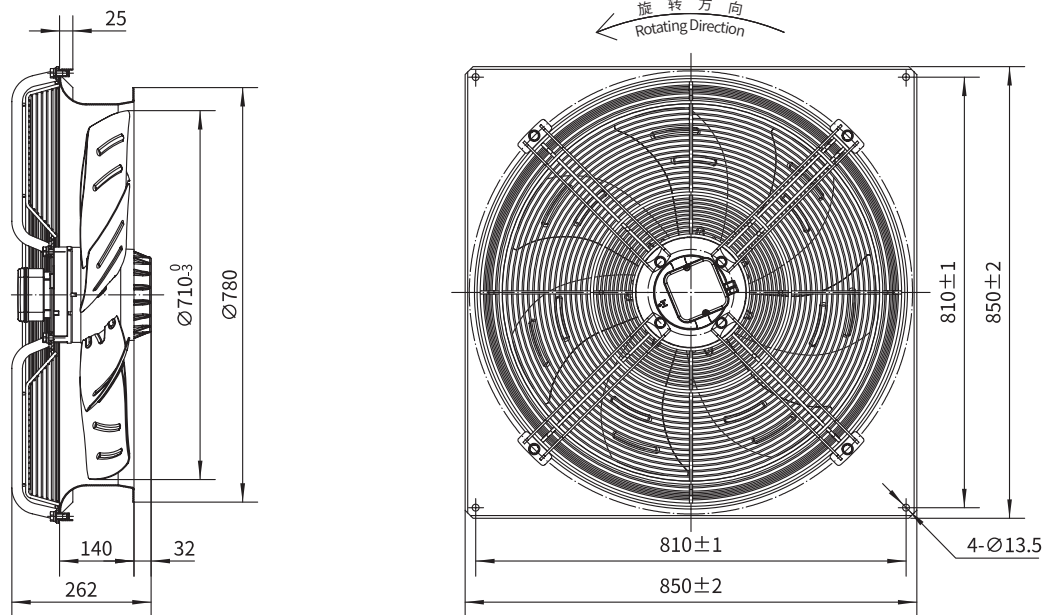
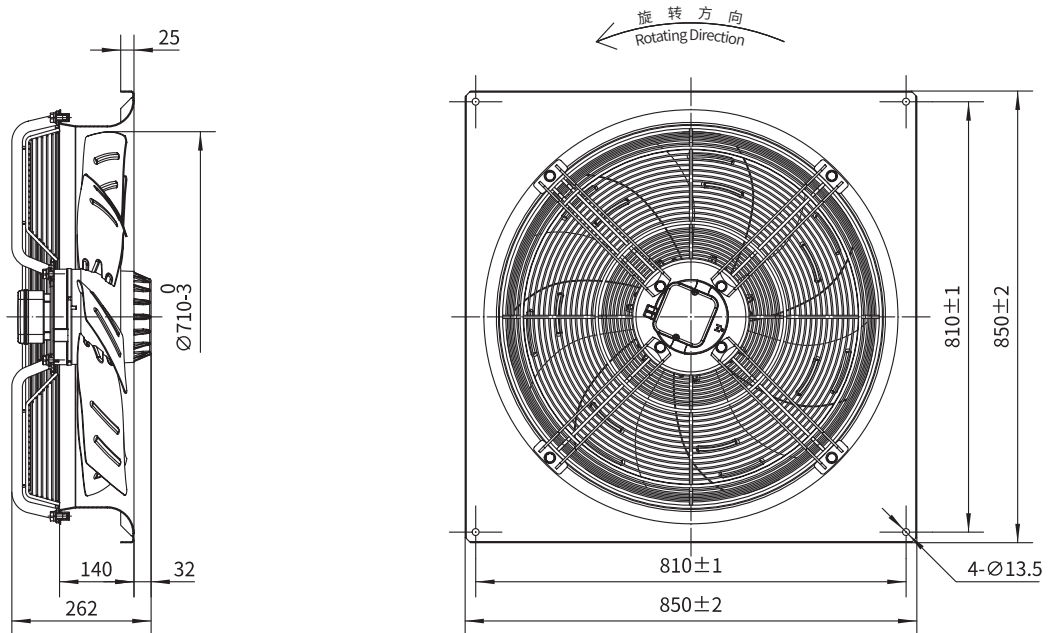



F0 型面板 Type F0

F1 型面板 Type F1


	电压 Voltage	频率 Frequency	电流 Current	功率 Power	转速 Speed	电容 Capacitor	风量 Air Flow (0 Pa)	噪音 Noise	曲线 Curve	运行温度 Working Temp.	认证 Approvals
Type F1	V	Hz	A	W	RPM	μF	$[\text{m}^3/\text{h}]/[\text{CFM}]$	dB(A)	No.	Min/Max($^{\circ}\text{C}$)	
YWF.A6T-710S-7F S10	380/400	50	2.30	1100	920	/	16020/9424	75	③	-30/+60	CCC, CE
	380/400	50	1.40	800	780	/	13000/7647	68	①	-30/+60	CCC, CE
	380/400	60	1.80	1000	1050	/	15900/9353	78	②	-30/+60	CCC, CE, UL
YWF.A8T-710S-7F S10	380/400	50	1.28	450	700	/	12500/7353	70	⑤	-30/+60	CCC, CE
	380/400	50	0.63	340	610	/	10800/6353	66	⑥	-30/+60	CCC, CE
YWF.A6T-710S-7F V10	200/230	50	3.40	1100	900	/	16140/9494	75	④	-30/+60	CCC, CE
	380/400	50	2.00	1100	900	/	16140/9494	75	④	-30/+60	CCC, CE





常规金属叶片轴流风机
Conventional Carbon Steel Blade Axial Fan

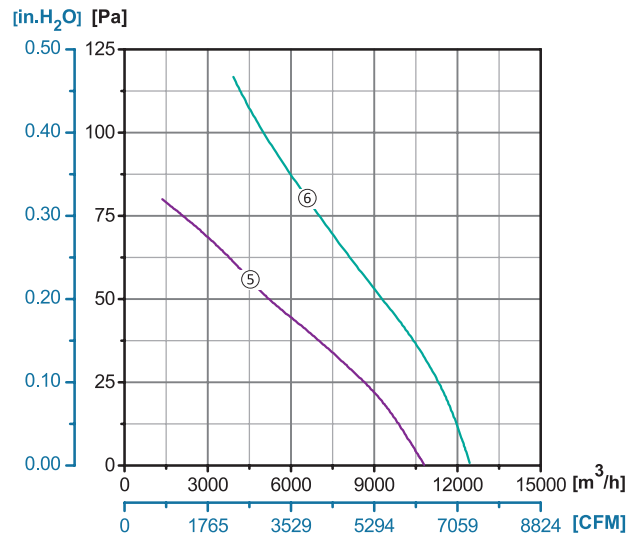
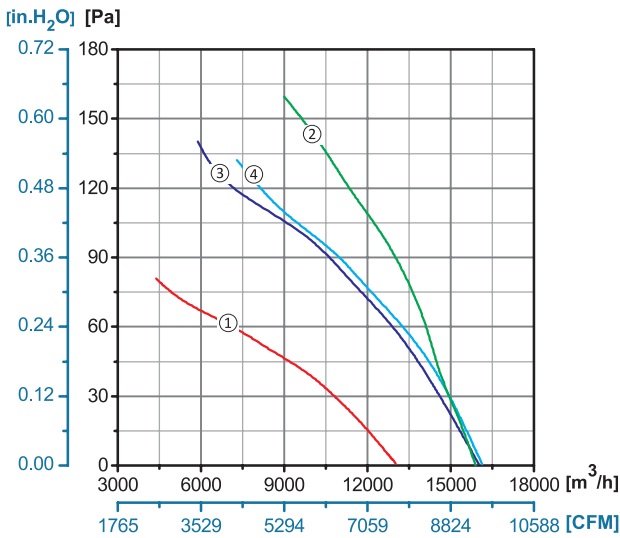
ErP2015
EXCEEDS THE NORM








Φ710

转子材质 Rotor Material: 铸铝 Aluminum Die-casting
 叶轮材质 Impeller Material: 碳钢 Carbon Steel
 防护等级 Ingress Protection: IP54
 绝缘等级 Insulation Class: F
 轴承类型 Bearing Type: 免维护滚珠球轴承
 Maintenance Free Ball Bearing

性能曲线 Performance Curves



				
Type B	Type C	Type D	Type E	Type F0
/	/	/	/	YWF.A6T-710S-7F S11
/	/	/	/	YWF.A8T-710S-7F S11
/	/	/	/	YWF.A6T-710S-7F V11